

**1.5MHz STEP-UP DC-DC CONVERTER****AP3012****General Description**

The AP3012 is a high power, constant frequency, current mode PWM, inductor based, step-up (boost) converter. The converter operates at high frequency (1.5MHz) so that a small, low profile inductor can be used.

The AP3012 has built-in overvoltage protection (OVP) to allow the device goes into shutdown mode when the output voltage exceeds the OVP threshold of 29V.

The AP3012 is available in standard SOT-23-5L package.

**Features**

- High Efficiency up to 81%
- Adjustable Output Voltage up to 29V
- Shutdown Current 1 $\mu$ A Typical
- 1.5MHz Switching Frequency
- 36V 500mA Rugged Integrated Bipolar Switch
- Built-in Soft-Start to Reduce Inrush Current During Start-up
- On-chip Overvoltage Protection
- Uses Low ESR Ceramic Output Capacitor
- Uses Small Inductor

**Applications**

- LCD/OLED Display Bias Supply
- White LED Driver for LCD Display Backlights
- Cellular Phones

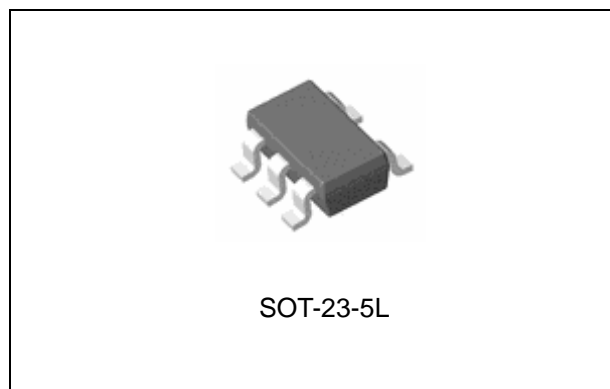


Figure 1. Package Type of AP3012

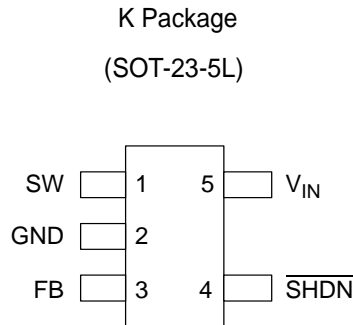
**1.5MHz STEP-UP DC-DC CONVERTER****AP3012****Pin Configuration**

Figure 2. Pin Configuration of AP3012 (Top View)

**Pin Description**

Pin Number	Pin Name	Function
1	SW	Switch Pin. Connect inductor/diode here. The output voltage can go up to 29V but should not exceed this limit. If the voltage on this pin is higher than the overvoltage protection (OVP) threshold, the device can go into shutdown mode. It can be restarted by a low to high pulse on the SHDN pin, or by a power on reset on the V <sub>IN</sub> supply
2	GND	Ground Pin. Connect directly to local ground plane
3	FB	Feedback Pin. Internally compares to 1.25V. Connect R1 and R2 resistor divider here. Calculate the Output Voltage according to the formula: $V_{OUT}=1.25V * (1+R1/R2)$
4	$\overline{\text{SHDN}}$	Shutdown Pin. Connect to 1.5V or higher to enable device (ON), 0.4V or lower to disable device (OFF)
5	V <sub>IN</sub>	Input Supply Pin. Must be locally bypassed



**1.5MHz STEP-UP DC-DC CONVERTER**

**AP3012**

**Functional Block Diagram**

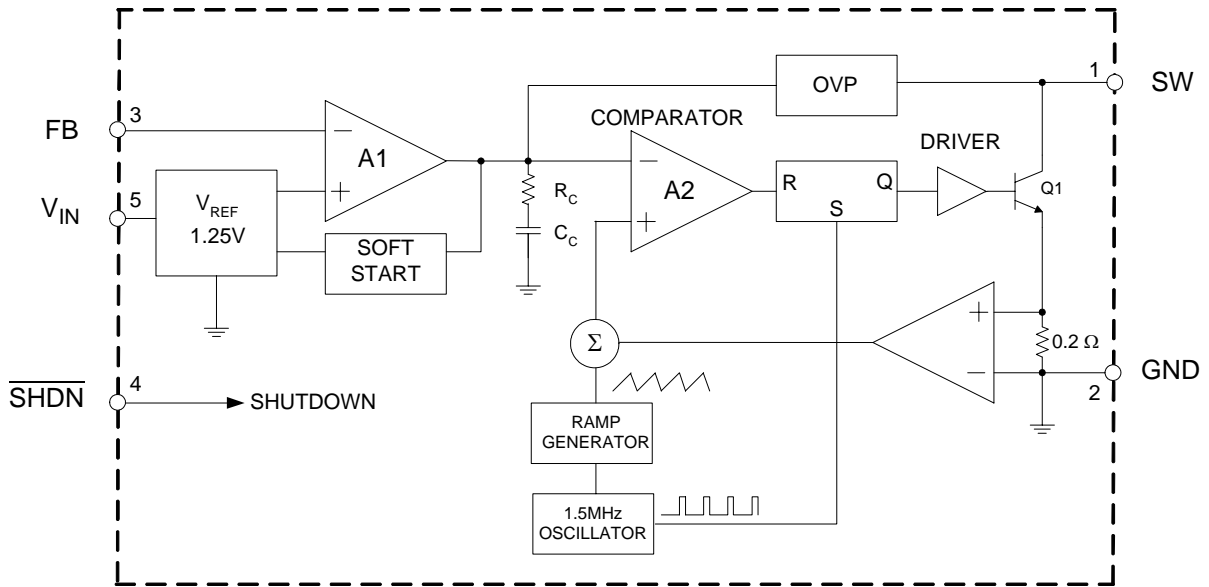


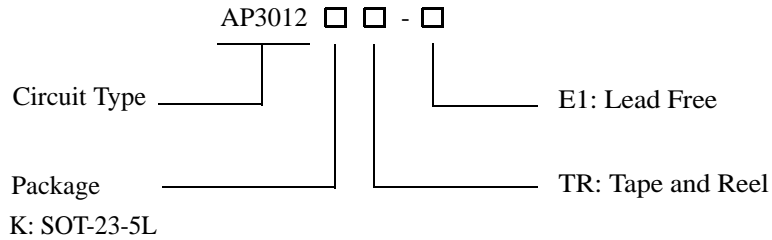
Figure 3. Functional Block Diagram of AP3012



**1.5MHz STEP-UP DC-DC CONVERTER**

**AP3012**

**Ordering Information**



Package	Temperature Range	Part Number	Marking ID	Packing Type
		Lead Free	Lead Free	
SOT-23-5L	-40 to 85°C	AP3012KTR-E1	E6B	Tape & Reel

BCD Semiconductor's Pb-free products, as designated with "E1" suffix in the part number, are RoHS compliant.

**1.5MHz STEP-UP DC-DC CONVERTER****AP3012****Absolute Maximum Ratings (Note 1)**

Parameter	Symbol	Value	Unit
Input Voltage	$V_{IN}$	20	V
SW Voltage		38	V
FB Voltage		5	V
$\overline{SHDN}$ Voltage		16	V
Thermal Resistance (Junction to Atmosphere, no Heat sink)	$R_{\theta JA}$	265	°C/W
Operating Junction Temperature		150	°C
Storage Temperature Range	$T_{STG}$	-65 to 150	°C
Lead Temperature (Soldering, 10sec)	$T_{LEAD}$	260	°C
ESD (Machine Model)		250	V
ESD (Human Body Model)		2000	V

Note 1: Stresses greater than those listed under "Absolute Maximum Ratings" may cause permanent damage to the device. These are stress ratings only, and functional operation of the device at these or any other conditions beyond those indicated under "Recommended Operating Conditions" is not implied. Exposure to "Absolute Maximum Ratings" for extended periods may affect device reliability.

**Recommended Operating Conditions**

Parameter	Symbol	Min	Max	Unit
Input Voltage	$V_{IN}$	2.6	16	V
Operating Temperature	$T_{OP}$	-40	85	°C



**1.5MHz STEP-UP DC-DC CONVERTER**

**AP3012**

**Electrical Characteristics**

( $V_{IN}=3V$ ,  $V_{\overline{SHDN}}=3V$ ,  $T_A=25^{\circ}C$ , unless otherwise specified.)

Parameter	Symbol	Conditions	Min	Typ	Max	Unit
Minimum Operating Voltage			2.6			V
Maximum Operating Voltage					16	V
Feedback Voltage	$V_{FB}$	$V_{IN}=5V$ , $V_{OUT}=24V$ , $I_{OUT}=30mA$	1.17	1.25	1.33	V
FB Pin Bias Current		$V_{FB}=1.25V$	10	45	100	nA
Supply Current	$I_{CC}$	$V_{\overline{SHDN}}=V_{FB}=V_{IN}$ , No switching		2.5	3.5	mA
Supply Current	$I_Q$	$V_{\overline{SHDN}}=0V$ , $V_{FB}=0V$		0.1	1.0	$\mu A$
Switching Frequency	f		1.1	1.5	1.9	MHz
Maximum Duty Cycle	$D_{MAX}$		85	90		%
Switching Current Limit		Duty Cycle=80%		500		mA
Switch VCESAT	$V_{CESAT}$	$I_{SW}=250mA$		300		mV
Switch Leakage Current		$V_{SW}=5V$		0.01	5	$\mu A$
$\overline{SHDN}$ Voltage High (ON)	$V_{TH}$		1.5			V
$\overline{SHDN}$ Voltage Low (OFF)	$V_{TL}$				0.4	
$\overline{SHDN}$ Pin Bias Current				55		$\mu A$
OVP Voltage Threshold	$V_{OVP}$			29		V
Soft-Start Time				550		$\mu S$



1.5MHz STEP-UP DC-DC CONVERTER

AP3012

Typical Performance Characteristics

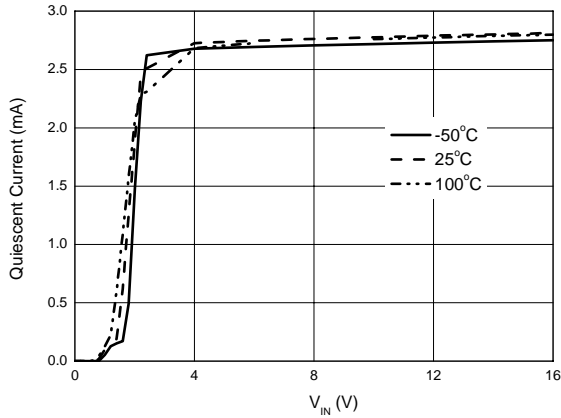


Figure 4. Quiescent Current vs. Input Voltage

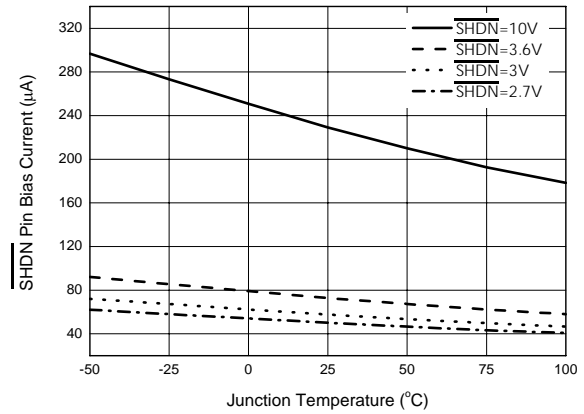


Figure 5. SHDN Pin Bias Current vs. Junction Temperature

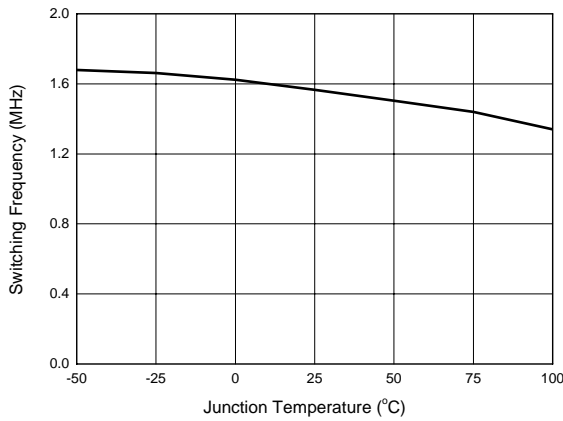


Figure 6. Switching Frequency vs. Junction Temperature

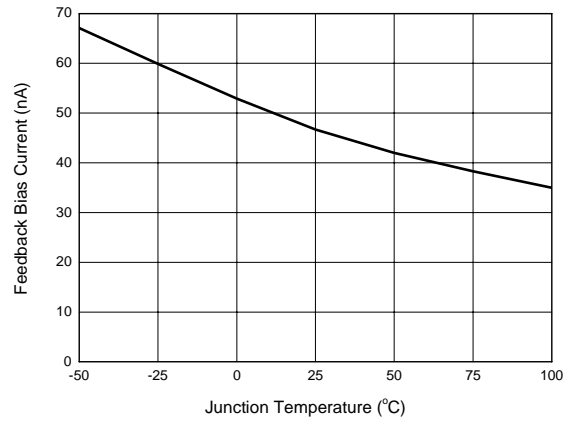


Figure 7. Feedback Bias Current vs. Junction Temperature



1.5MHz STEP-UP DC-DC CONVERTER

AP3012

Typical Performance Characteristics (Continued)

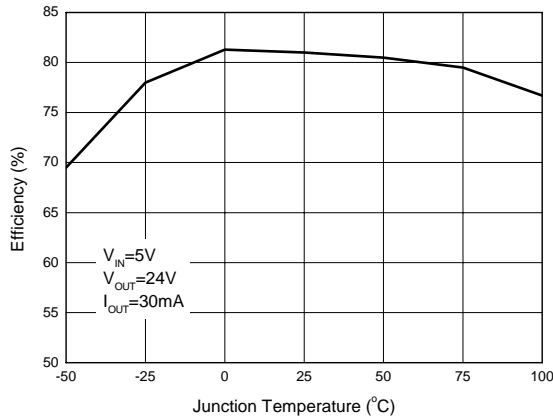


Figure 8. Efficiency vs. Junction Temperature

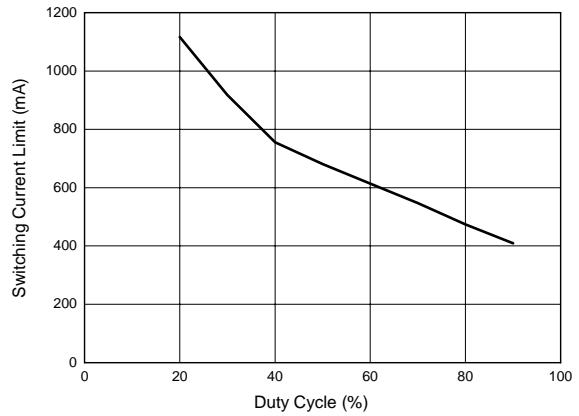


Figure 9. Switching Current Limit vs. Duty Cycle

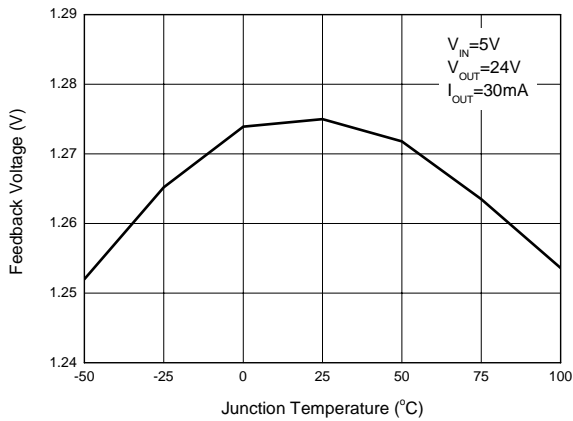


Figure 10. Feedback Voltage vs. Junction Temperature

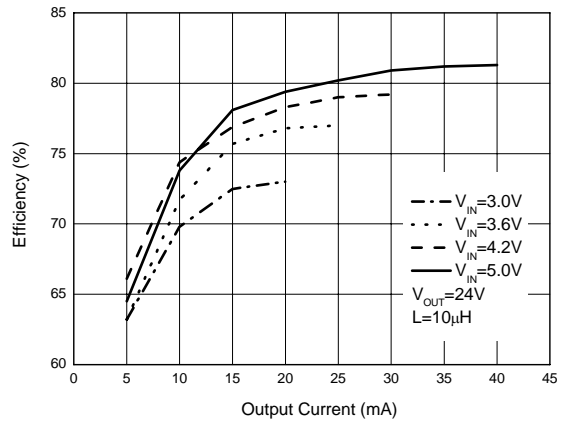


Figure 11. Efficiency vs. Output Current

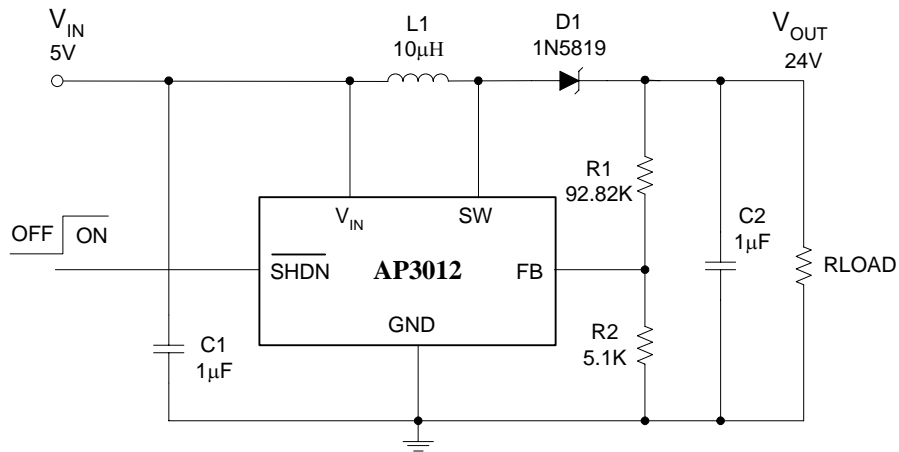




**1.5MHz STEP-UP DC-DC CONVERTER**

**AP3012**

**Typical Application**



Note:  $V_{OUT}=1.25*(1+R1/R2)=1.25*19.2=24V$   
C: X5R or X7R Dielectric  
L: SUMIDA CDTH3D14/HPNP-100NC or Equivalent

Figure 12. LCD/OLED Display Bias Driver Typical Circuit



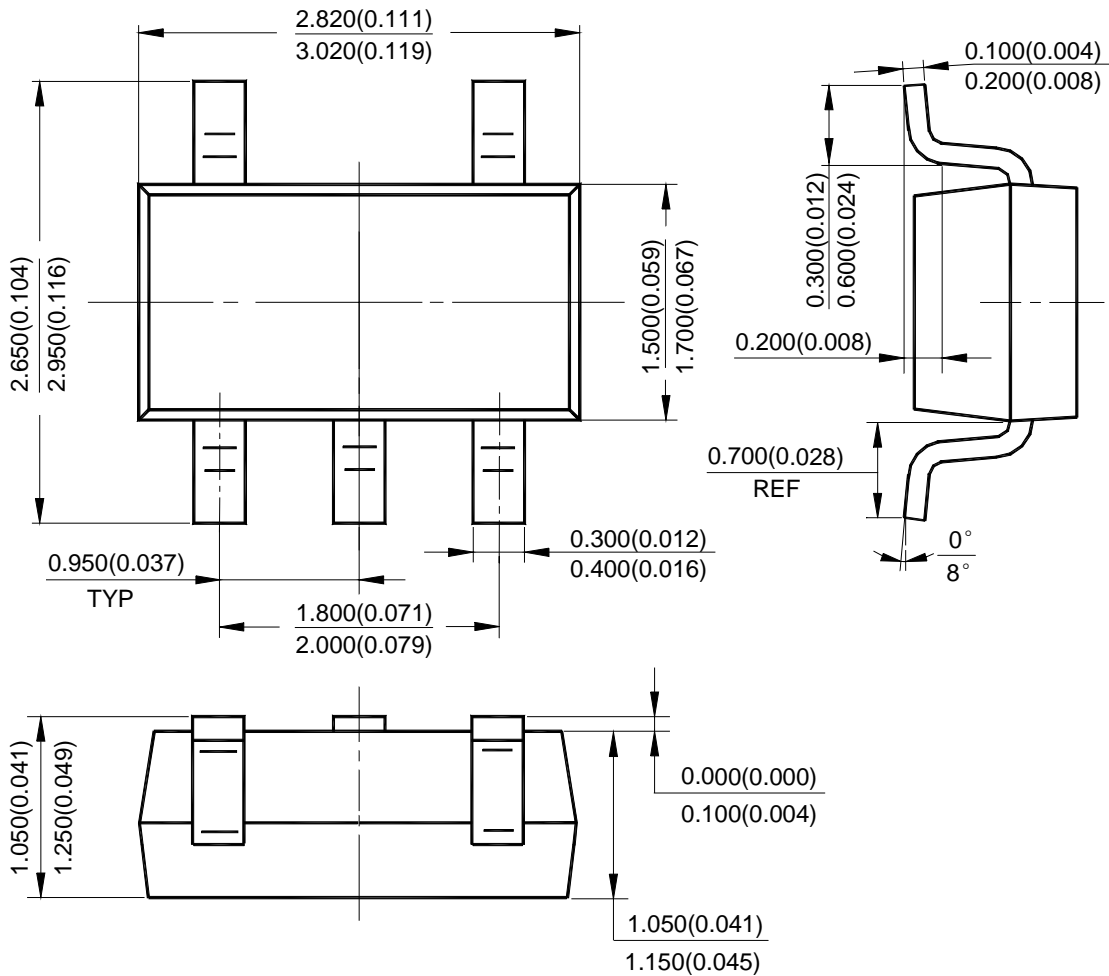
**1.5MHz STEP-UP DC-DC CONVERTER**

**AP3012**

**Mechanical Dimensions**

**SOT-23-5L**

**Unit: mm(inch)**





BCD Semiconductor Manufacturing Limited

<http://www.bcdsemi.com>

### IMPORTANT NOTICE

BCD Semiconductor Manufacturing Limited reserves the right to make changes without further notice to any products or specifications herein. BCD Semiconductor Manufacturing Limited does not assume any responsibility for use of any its products for any particular purpose, nor does BCD Semiconductor Manufacturing Limited assume any liability arising out of the application or use of any its products or circuits. BCD Semiconductor Manufacturing Limited does not convey any license under its patent rights or other rights nor the rights of others.

---

#### MAIN SITE

**BCD Semiconductor Manufacturing Limited**  
- Wafer Fab  
Shanghai SIM-BCD Semiconductor Manufacturing Limited  
800, Yi Shan Road, Shanghai 200233, China  
Tel: +86-21-6485 1491, Fax: +86-21-5450 0008

**BCD Semiconductor Manufacturing Limited**  
- IC Design Group  
Advanced Analog Circuits (Shanghai) Corporation  
8F, Zone B, 900, Yi Shan Road, Shanghai 200233, China  
Tel: +86-21-6495 9539, Fax: +86-21-6485 9673

#### REGIONAL SALES OFFICE

**Shenzhen Office**  
Shanghai SIM-BCD Semiconductor Manufacturing Co., Ltd. Shenzhen Office  
Advanced Analog Circuits (Shanghai) Corporation Shenzhen Office  
27B, Tower C, 2070, Middle Shen Nan Road, Shenzhen 518031, China  
Tel: +86-755-8368 3987, Fax: +86-755-8368 3166

**Taiwan Office**  
BCD Semiconductor (Taiwan) Company Limited  
4F, 298-1, Rui Guang Road, Nei-Hu District, Taipei,  
Taiwan  
Tel: +886-2-2656 2808, Fax: +886-2-2656 2806

**USA Office**  
BCD Semiconductor Corporation  
3170 De La Cruz Blvd., Suite 105, Santa Clara,  
CA 95054-2411, U.S.A  
Tel: +1-408-988 6388, Fax: +1-408-988 6386